

**IMPORTANT! READ AND FOLLOW THESE INSTRUCTIONS
CAREFULLY AND KEEP FOR FUTURE REFERENCE**

If you sell or give away this product, make sure you give this instruction to the new owner.



WARNING

WARNING - Incorrect installation can be dangerous.

WARNING - Do not use the safety barrier if any components are damaged or missing.

WARNING - The safety barrier must not be fitted across windows.

WARNING - Never use without wall cups.

Screws **MUST** always be used to install wall cups.

This safety barrier is for domestic use only.

This safety barrier is suitable for use with children up to 24 months of age.

Never use with a child able to climb or dislodge/open gate.

The surfaces that the gate is to be fixed to must be suitable for the purpose and must be structurally sound.

If the barrier is to be used at the top of the stairs, it should not be positioned below top level.

If the safety barrier is used at the bottom of the stairs, it should be positioned at the front of the lowest tread possible.

This gate has a manual close system.

This gate is intended for indoor use and is not to be exposed to outdoor elements.

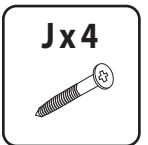
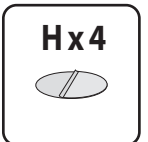
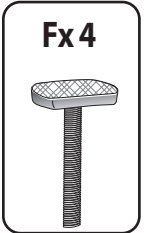
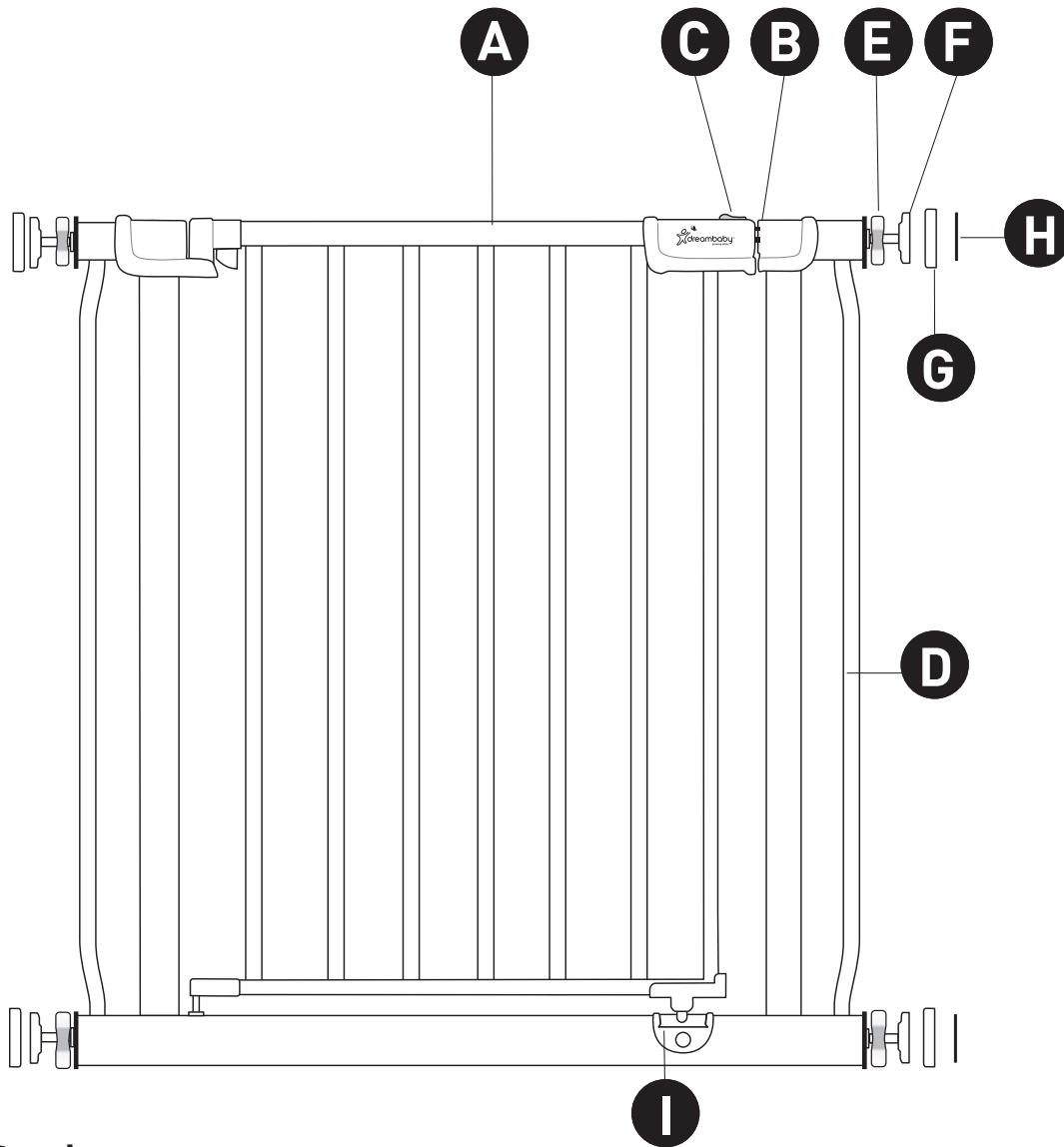
Install this gate away from heaters and other sources of heat.

This product will not necessarily prevent all accidents.

CAUTION: With any pressure mounted gate, a construction bar is required across the base. Note, this bar can be a tripping hazard. If you choose to position a pressure mounted gate at the top of stairs, use extra caution to step over this bar to prevent trips and falls.

Can be used in conjunction with a Dreambaby® Watch-the-Step® Gate Ramp (**F837**) to help avoid tripping.

PARTS LIST

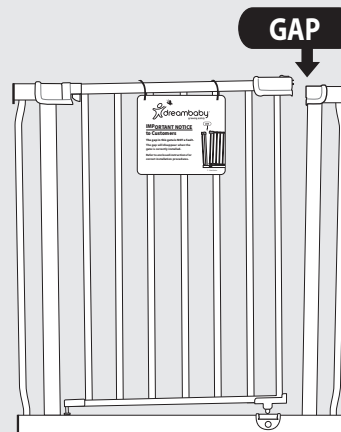


Wood Screws
Wood use only

- A** Gate Panel
- B** Upper Locking Set
- C** Release Switch
- D** Gate Frame
- E** Tension Knobs
- F** Bolts with Rubber Pads
- G** Wall Cups
- H** Double-sided Adhesive Tape
- I** Lower Locking Set
- J** Wood Screws

! WARNING: This package contains small parts and sharp points in an unassembled state. Keep out of reach of children. Adult assembly required.

NOTICE TO CUSTOMERS



THE GAP IN THIS GATE IS NOT A FAULT.

The gap will disappear when the gate is correctly installed.

PLEASE INSTALL GATE ACCORDING TO MANUFACTURER'S INSTRUCTIONS.

INSTALLATION

1. Measure the width of the opening of where you intend to install the gate.

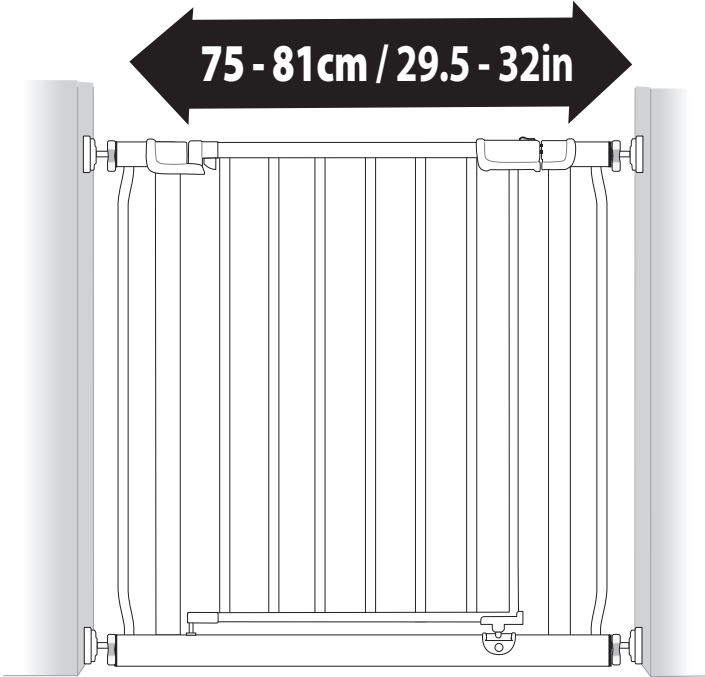
For wider openings select the appropriate Gate Extension(s), sold separately.

! Ensure the surface you are mount the gate is structurally sound such as solid timber, brick or masonry. For plaster/gyprock surface, locate the timber beam or stud behind and mount in this location (mounting on plaster/gyprock alone is not strong enough and not safe).

DO NOT MOUNT TO GLASS.

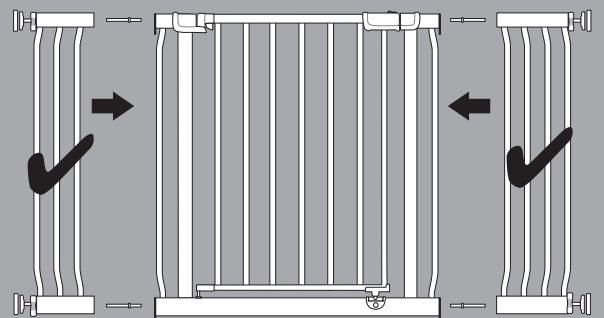
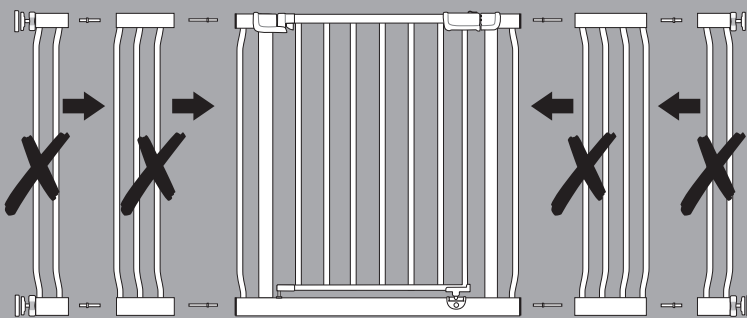
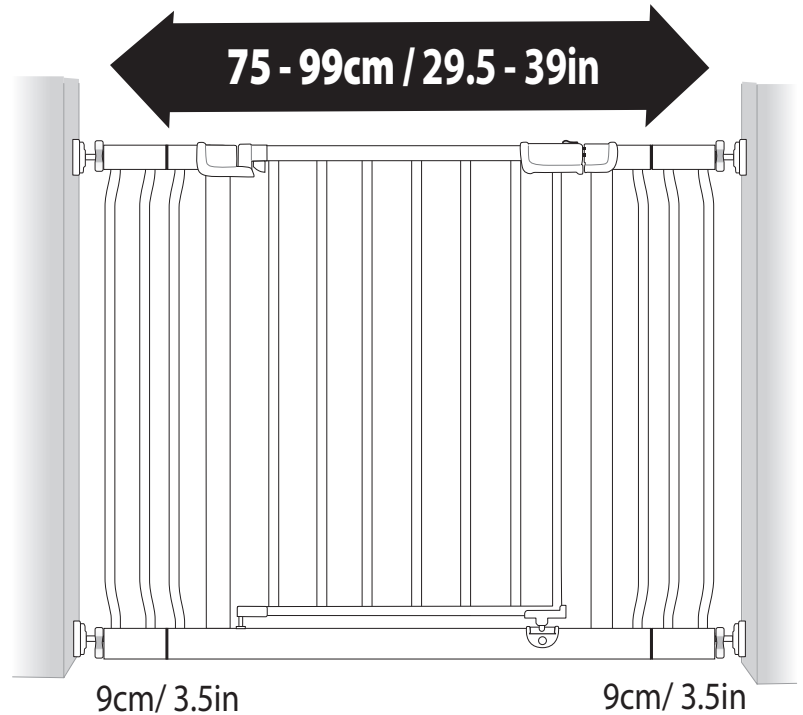
F2095 / F2096

75 - 81cm / 29.5 - 32in



F2097 / F2098

75 - 99cm / 29.5 - 39in



! WARNING

A maximum of 2 Gate Extensions can be used, 1 on each side of gate.
Do **NOT** install 2 Gate Extensions on the same side of gate.

INSTALLATION ADDING EXTENSION FRAMES

GATE EXTENSIONS sold separately.

2. To use with Gate Extensions (sold separately).

D Gate Frame

E Tension Knobs

F Bolts with Rubber Pads

K Extension Pin

L Gate Extension

G Wall Cups

WHITE	
*F901 / L901	- 9cm (3.5in)
F902 / L902	- 18cm (7in)
F903 / L903	- 27cm (10.5in)
F1951 / L1951	- 27cm (10.5in)
F1953 / L1953	- 45cm (17.5in)
F1955 / L1955	- 54cm (21in)
F1957 / L1957	- 63cm (24.5in)
F1959 / L1959	- 100cm (39in)

CHARCOAL	
*F1932 / L1932	- 9cm (3.5in)

Insert Extension Pins **K** into the holes on the outside of the Gate Frame **D**
 Next, slip Extension Frames **L** over the Pins **K**.
 Finally, slide in the Tension Knobs **E** and Bolts with Rubber Pads **F**.

Gate Frame (D)	Extension Pin (K)	Gate Extension (L)
3.5in / 9cm	K1	
7in / 18cm & 10.5in / 27cm	K2	
14in / 36cm — 39in / 100cm	K3	

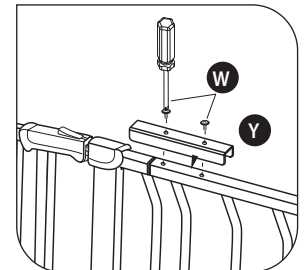
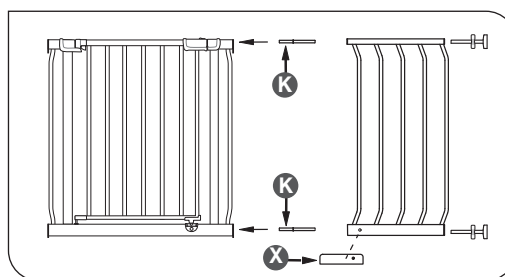
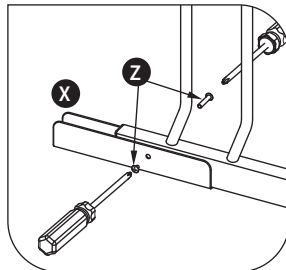
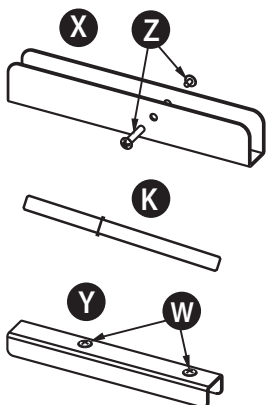
!

*** 3.5in/9cm**

Insert **LONG END** of EXTENSION PIN (**K**) into Gate Frame

For Extensions over 14in / 36cm

- PARTS**
- K** - Extension Pin
 - W** - Screws
 - X** - Lower Clamp
 - Y** - Upper Clamp
 - Z** - Connector Screw

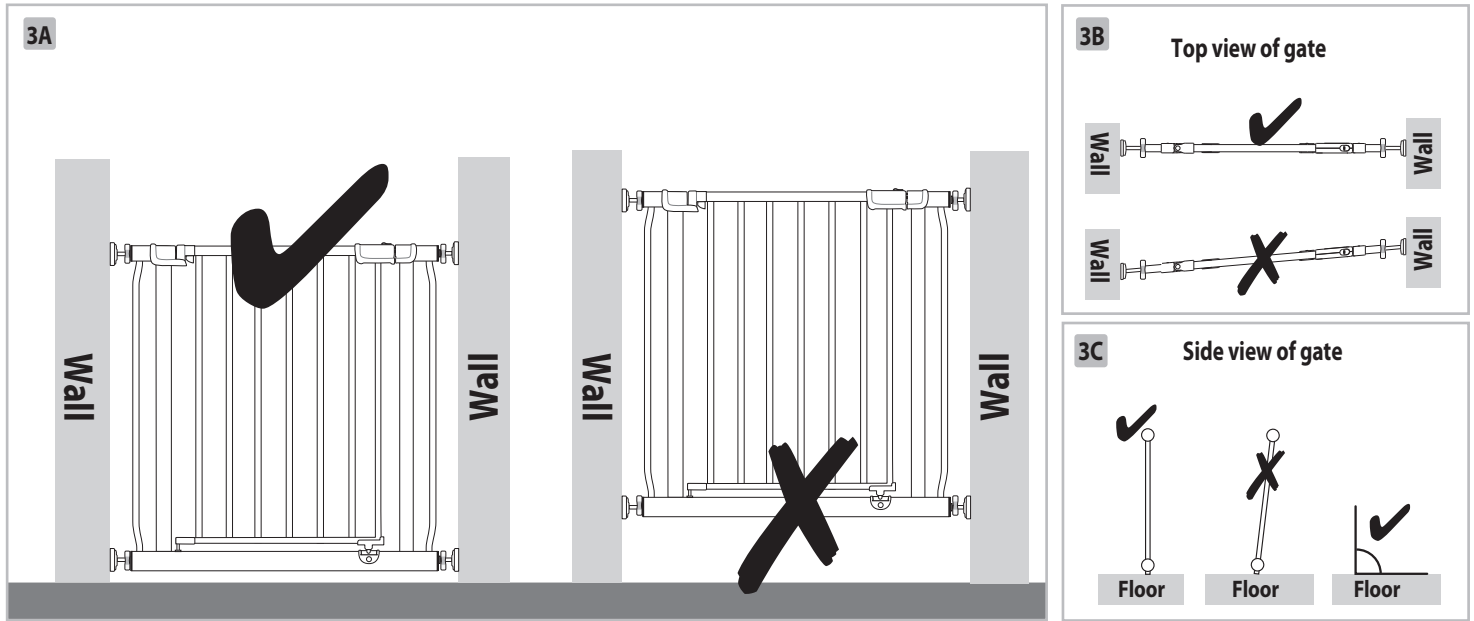


INSTRUCTIONS:

1. Install Lower Clamp **X** onto bottom of gate extension using **Z**.
2. Insert short end of Extension Pin **K** into gate frame.
3. Slip the gate extension over pin.
4. Screw Upper clamp **Y** into place using **W**.

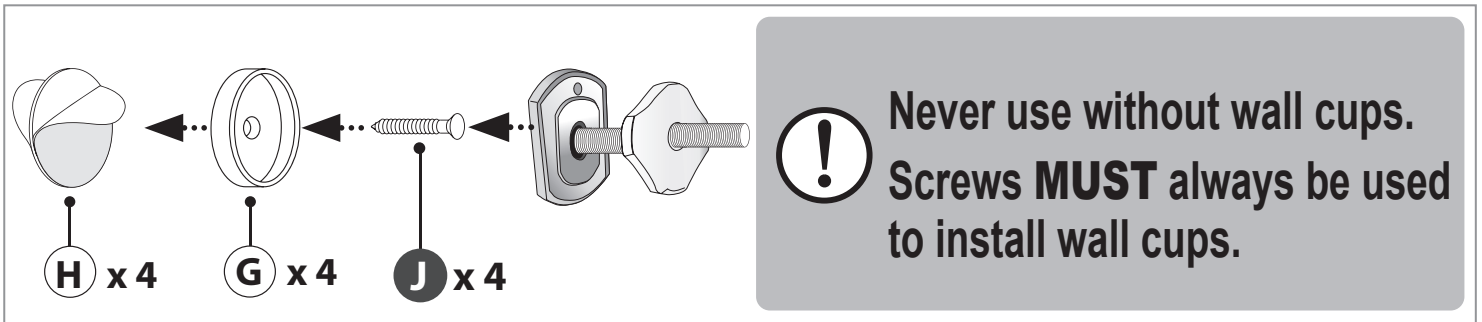
INSTALLATION

3. To install, place the gate in the opening so that the bottom of the Gate Frame is completely flat on the floor (3A), and it is perpendicular to the openings and the floor (3B & 3C).

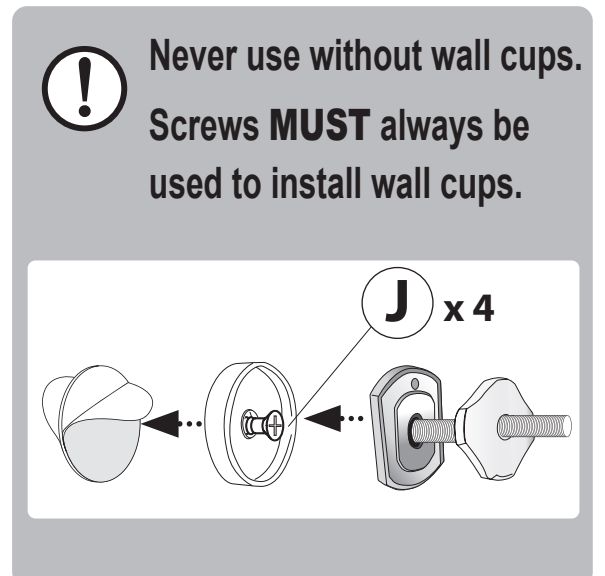
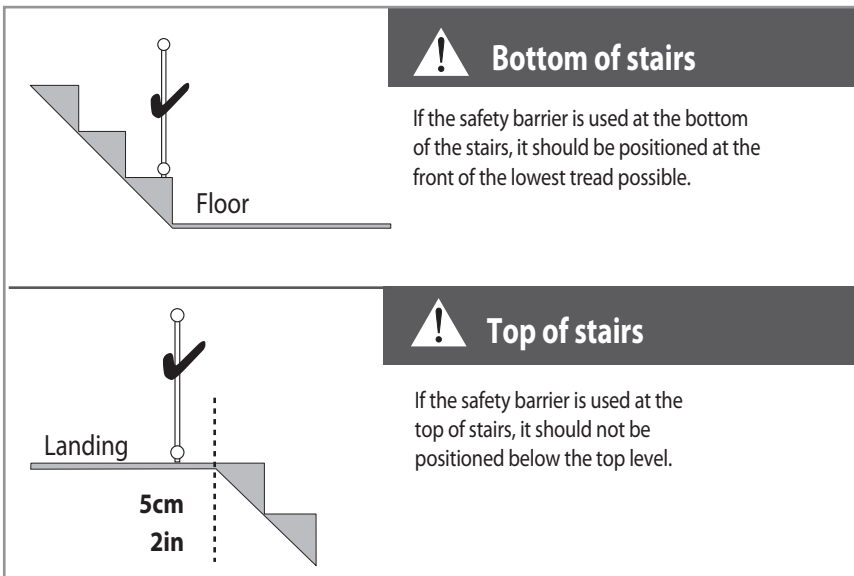


4. Fasten the Wall Cups to the wall with screws AND double-sided adhesive tape (4A & 4B).

NOTE: Ensure that they are aligned vertically, so that the Wall Cups at the top are directly above the ones at the bottom.



5. For use on stairs (5A & 5B).

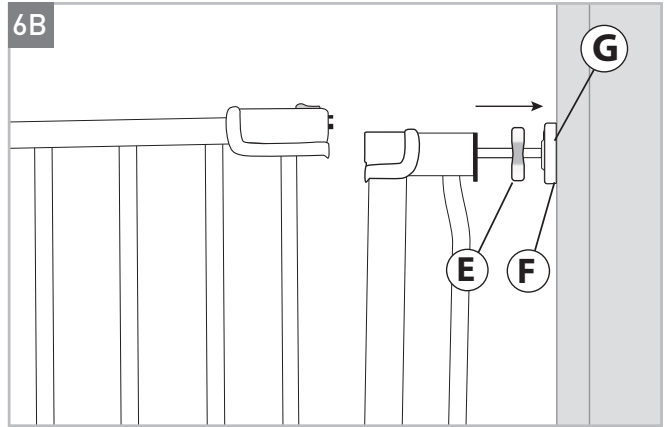
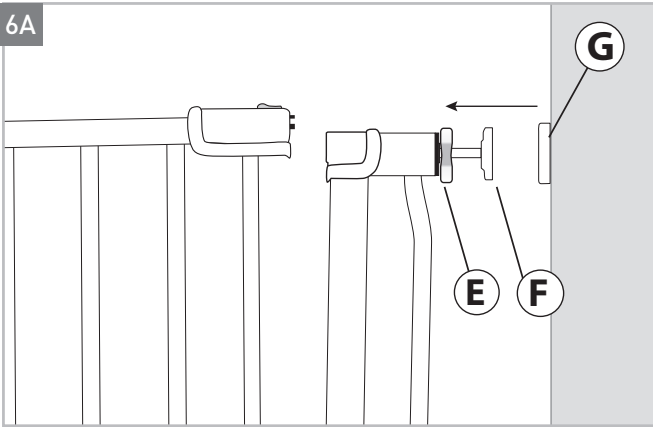


Wood screws (J) included.

For Brick or Masonry use the appropriate fittings, screws and plugs for your wall (not included)

INSTALLATION

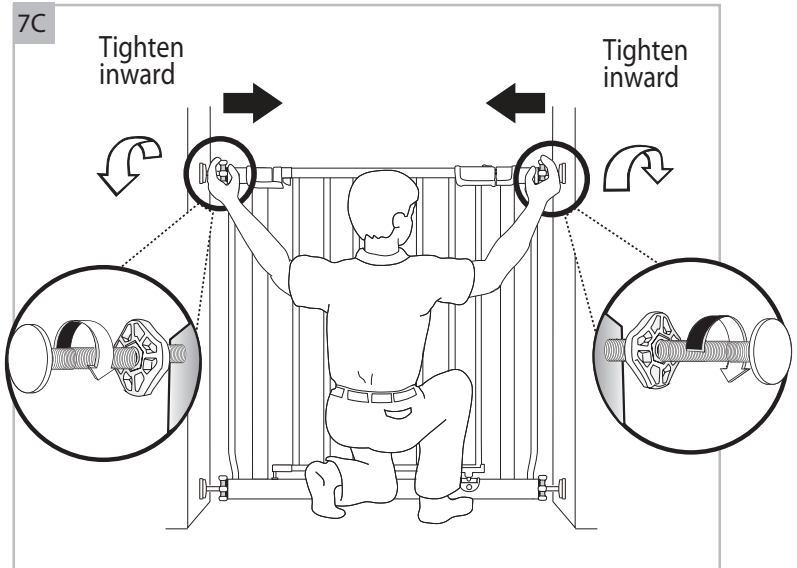
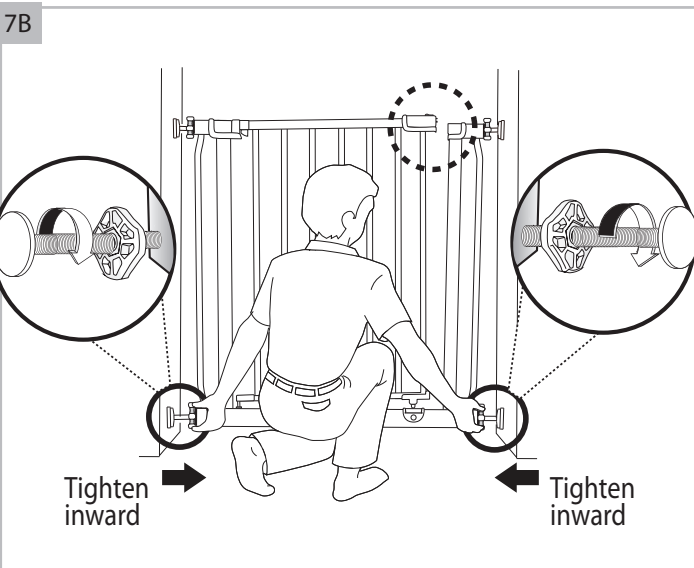
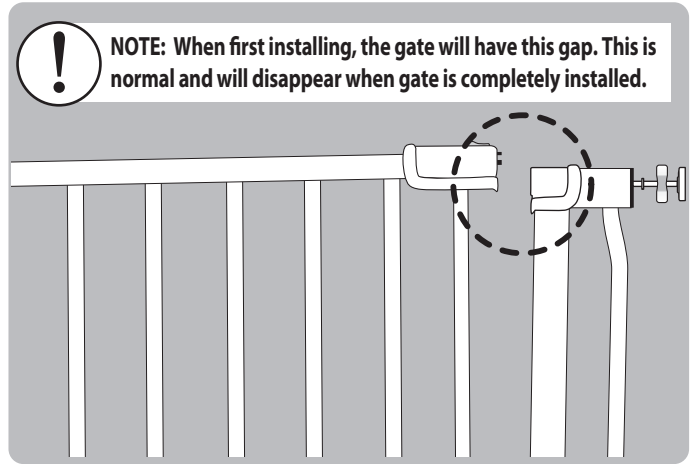
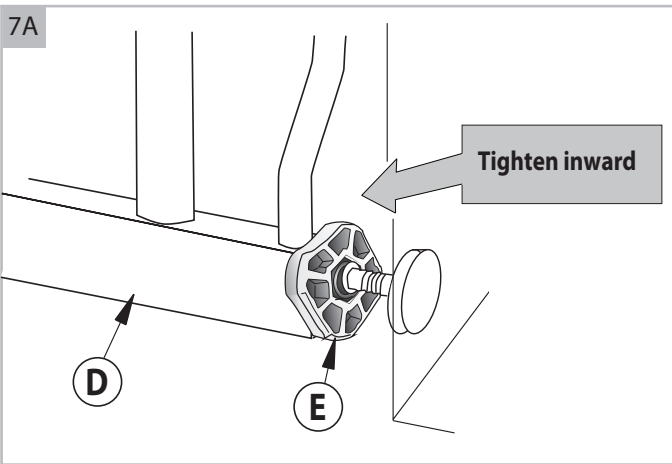
- 6.** Insert the Bolts with Rubber Pads and Tension Knobs into the Gate Frame, then partially slide the Bolts with Rubber Pads and Tension Knobs outwards into the Wall Cups (6A & 6B).



- 7.** Tighten both of the lower Tension Knobs (E) by turning them at the same time (7A & 7B).

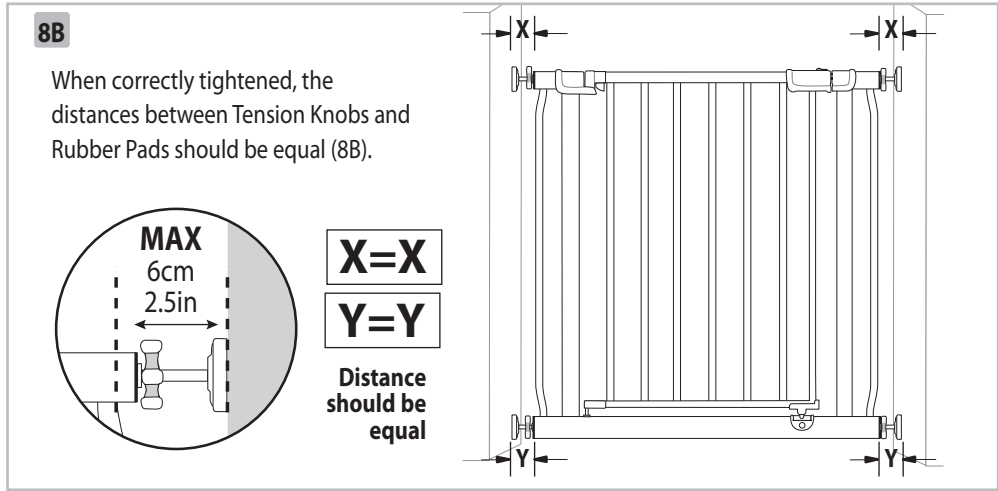
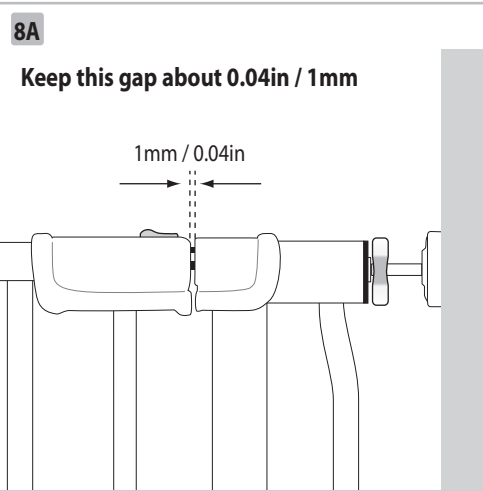
NOTE: Make sure the bottom of the gate frame remains completely flat on the floor.

Next, tighten both of the upper Tension Knobs (E) at the top by turning them at the same time (7C).



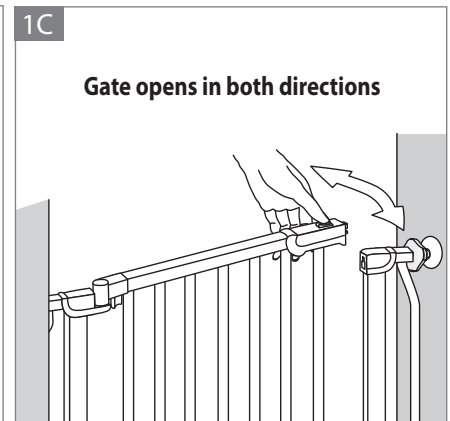
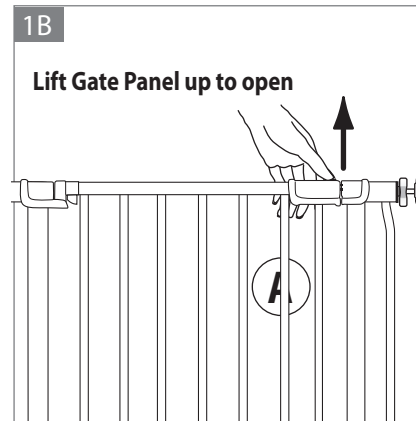
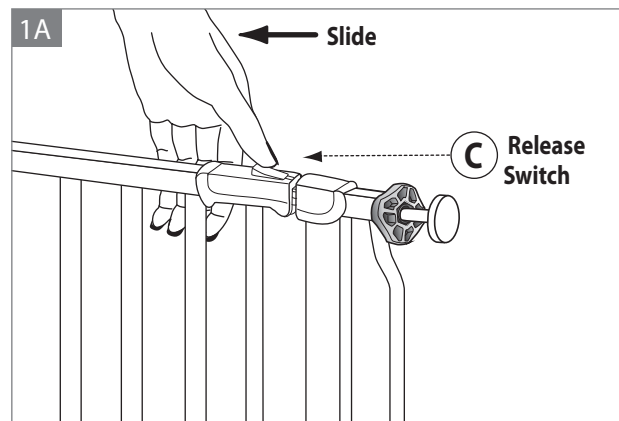
INSTALLATION

- 8.** Tighten the Tension Knobs until the two Indicator Lines (X), located on the Upper Locking Set and on the Right Upper Corner, align horizontally (8A).



OPERATION

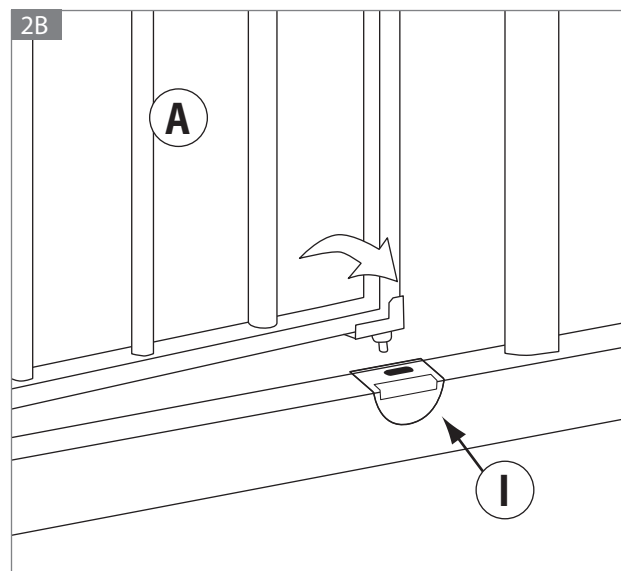
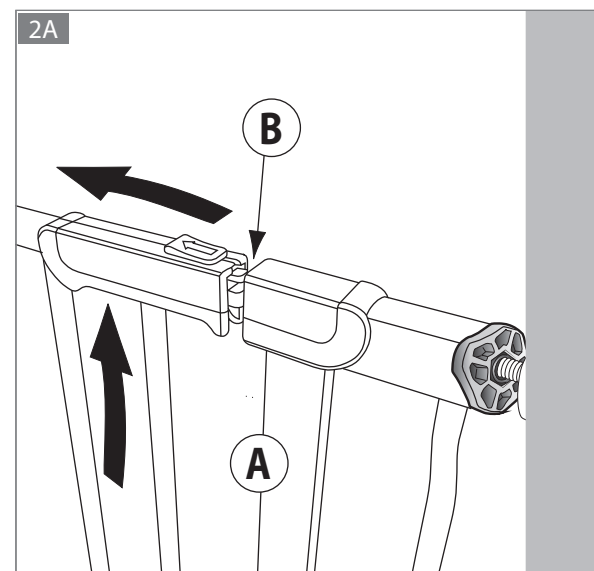
- 1.** To open the gate:



- 2.** To close the gate:

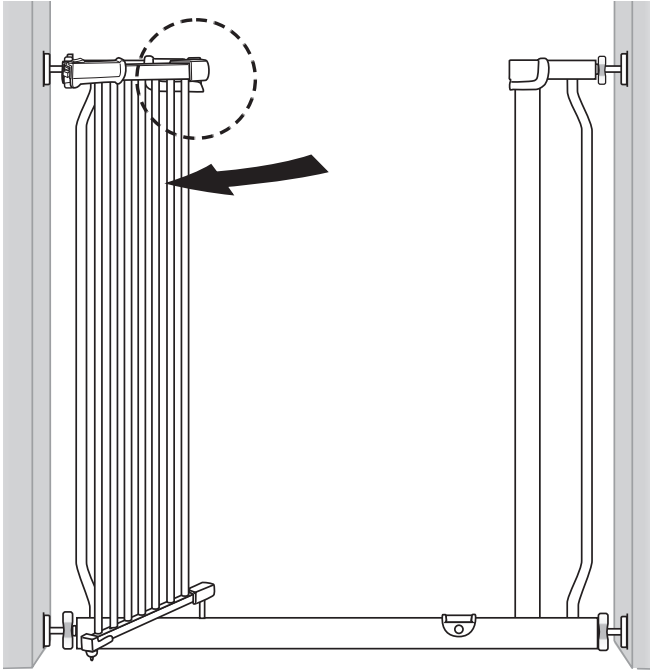
This gate has a manual close system.

Make sure the Upper and Lower Locking sets are engaged (**2A & 2B**)



SMART STAY-OPEN SYSTEM

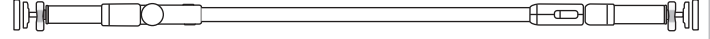
To engage the Smart Stay Open System swing gate in chosen direction to its maximum opening.
Gate will stay open. Close as required.



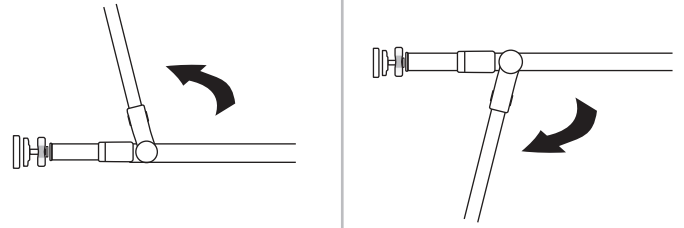
CAUTION: Keep gate closed when children are present.

TOP VIEW OF GATE

Gate in **CLOSED** position



Swing to **OPEN** positions



MAINTENANCE & CARE

- Gate must be fitted according to instructions, to ensure it works correctly.
- Regularly check Tension Knobs, Rubber Pads and Wall Cups to make sure the gate is securely in place and closes correctly. Adjust as required.
- To clean, wipe surface with a damp cloth or sponge using mild detergent and warm water. Never clean with abrasive, ammonia based bleach based or spirit type cleaners.
- Only use Dreambaby® spare parts. Any additional and replacement parts should be obtained from **Tee-Zed** Products.



Tee-Zed acknowledges that its customers may be entitled to statutory consumer guarantees and does not seek to exclude or limit them. These guarantees include that Tee-Zed's products are of acceptable quality. This Tee-Zed product is for the specific purpose detailed in the instructions and packaging and Tee-Zed considers use outside of that purpose to be abnormal use. To the maximum extent permitted by law, Tee-Zed does not accept any liability for damage:

- arising from abnormal use of the products;
- caused by installation or removal of the products other than in accordance with the supplied installation and removal instructions; or
- arising under the law of tort or contract.

Dreambaby® products by 

Tee-Zed Products Pty Ltd
PO Box 2022,
Bondi Junction NSW 1355
Australia

☎ +61 (0)2 9386 4000

✉ info@tee-zed.com.au

www.dreambaby.com.au

Tee-Zed Products Ltd
PO Box 29227,
Dunfermline, KY12 2DN
United Kingdom

☎ +44 (0)844 800 9445

✉ info@tee-zed.co.uk

www.dreambaby.co.uk

Tee-Zed Products (N.Z.) Ltd
PO Box 64013,
Botany Town Centre Auckland
New Zealand

☎ +64 (0)9 274 8788

✉ info@tee-zed.co.nz

www.dreambaby.co.nz



[dreambabysafety](https://www.dreambabysafety.com)

You Tube

[dreambabytv](https://www.dreambabytv.com)

Made in Hangzhou, China.

©2019 Tee-Zed Products Pty Ltd

